

# Display Sova

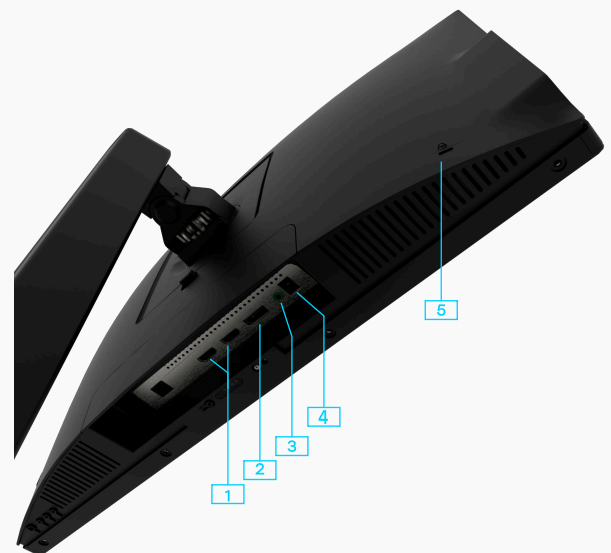
Model S27QA FHD

Delta Computers Sova is a range of Russian professional displays designed to create modern workstations for professionals in various fields.

The Sova S27QA monitor, with a 27.0-inch frameless 2K display, is intended for use with both standard applications and specialized software with high image quality requirements.

## Features

- △ Matte 27.0" 2K IPS panel
- △ 89% screen-to-body ratio
- △ Energy efficiency A++
- △ Built-in speakers
- △ Wide range of modern graphic outputs
- △ 2xHDMI+1xDP
- △ Reduced harmful blue light through Low Blue Light Eye technology
- △ Height-adjustable stand option
- △ Ready-made solutions for Los and Yastreb workplaces based on Voron and Bober PCs



1. 2x HDMI 1.4
2. DisplayPort 1.2
3. Audio out
4. AC power connector
5. Kensington Lock connector

<b>Screen size</b>	27,0 inches (68 cm)
<b>Aspect ratio</b>	16:9
<b>Panel type</b>	IPS
<b>Resolution</b>	2K WQHD (2560x1440)
<b>Frequency</b>	Up to 100 Hz
<b>Color depth</b>	16,7M colors
<b>Brightness</b>	280 cd/m <sup>2</sup>
<b>Contrast</b>	1 000:1
<b>Dynamic contrast</b>	10 000 000:1
<b>Response time</b>	5 ms
<b>Viewing angles</b>	178/178° horizontal/vertical
<b>Anti-glare coating</b>	Yes
<b>Video outputs</b>	2x HDMI 1.4 2560x1440 100 Hz 1x DisplayPort 1.2 2560x1440 100 Hz
<b>Audio</b>	1x Audio out 2x Speaker 2 W, 8 Ω
<b>Controls</b>	Russian-language menu with display settings Additional 6 languages
<b>Additional features</b>	FreeSync support Low Blue Light Eye support DCR support FPS/RTS modes support

<b>Security</b>	Kensington lock connector
<b>Energy efficiency class</b>	A+++
<b>Power consumption on standby</b>	Up to 0,5 W
<b>Power supply unit</b>	External, 30 W
<b>VESA mount</b>	100x100 mm
<b>Stand</b>	Standard metal, adjustable at an angle of 5/15° Height, rotation, and tilt adjustable (optional)
<b>Color</b>	Black or white
<b>Weight</b>	Standard stand version Net weight: 4.5 kg Gross weight: 5.2 kg  Height-adjustable stand version Net weight: 4.95 kg Gross weight: 5.5 kg
<b>Dimensions</b>	Monitor dimensions without stand (WxHxD): 540x64x323 mm Monitor dimensions with standard stand (WxHxD): 540x168x411 mm Monitor dimensions with height-adjustable stand (WxHxD): 540x200x444(509) mm Packaging dimensions (WxHxD): 650x113x437 mm
<b>Package kit</b>	Power cable Power adapter Video cable Quick start guide

\* Please, specify possible configuration

# Other products:

## Workplace Yastreb and Los

based on PCs Bober and Voron and Sovo displays

- △ Solution for the modern workplace of professionals from different areas
- △ Wide choice of processors: Intel® Core™ 10, 11, 12, 13 and 14 generations or Baikal-M
- △ Classic set of peripherals
- △ Included in Register of the Ministry of Industry and Trade
- △ Universal line of corporate Sovo displays :



- Diagonals 23,8", 27" and 31,5" with FullHD and 2K resolution
- Modern frameless design
- High picture quality and wide viewing angle
- Wide range of graphic interfaces HDMI/DP/VGA



### Display Sovo OM270I

Diagonal 27"  
FHD or 2K resolution

- △ The optimal display allows to work with both standard and special applications due to the large, high-quality screen and ergonomic design

- Matte 23.8" FullHD-screen
- Modern IPS- matrix
- Suitable for multi-monitor scenario thanks to thin bezels
- Wide range of graphic interfaces HDMI/DP/ VGA\*



### Display Sovo OM315I

Diagonal 31,5"  
2K resolution

- △ Comfortable work with graphic applications due to a large screen that allows you to work in multi-window mode and a color palette of 1 billion colors

- Matte 31,5" WQHD-screen
- Premium IPS matrix with a palette of 1 billion colors
- The screen occupies 90% of the front panel area
- High brightness level of 300 cd/m2

\*Check out possible configuration options